

4

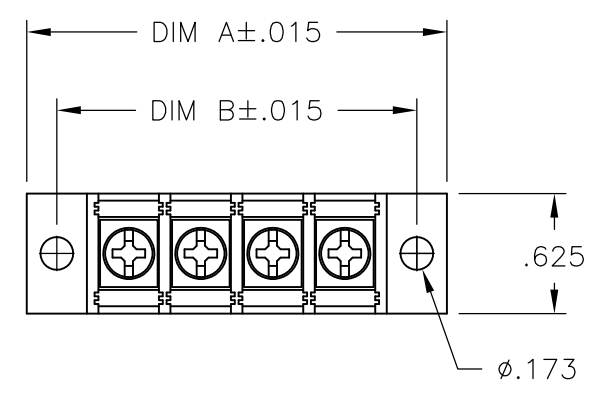
3

2

1

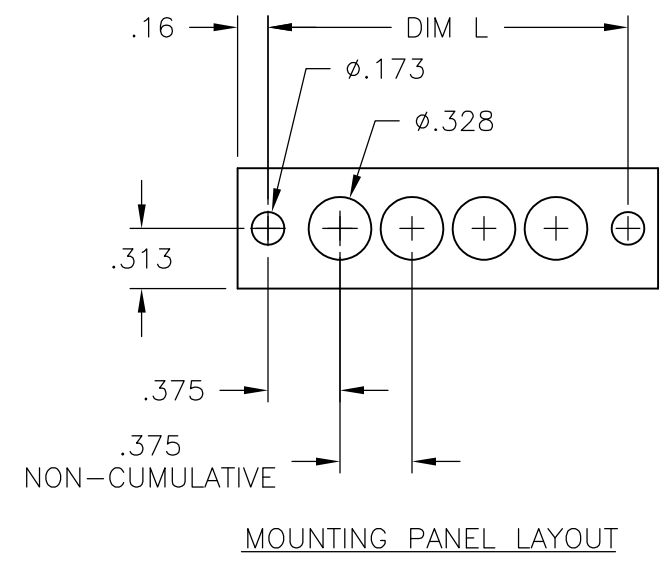
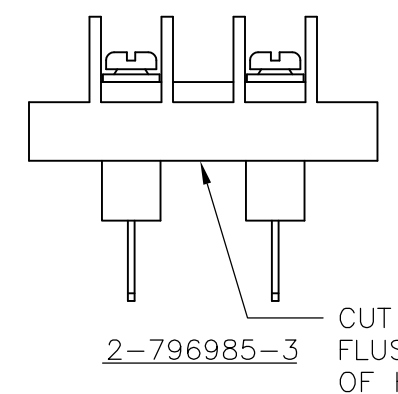
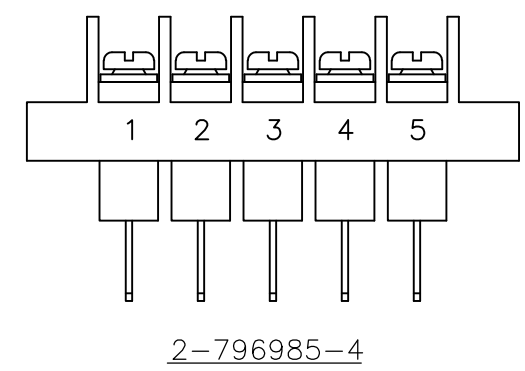
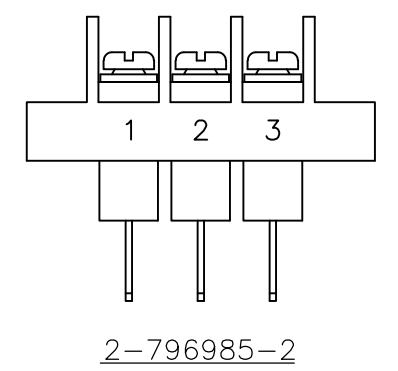
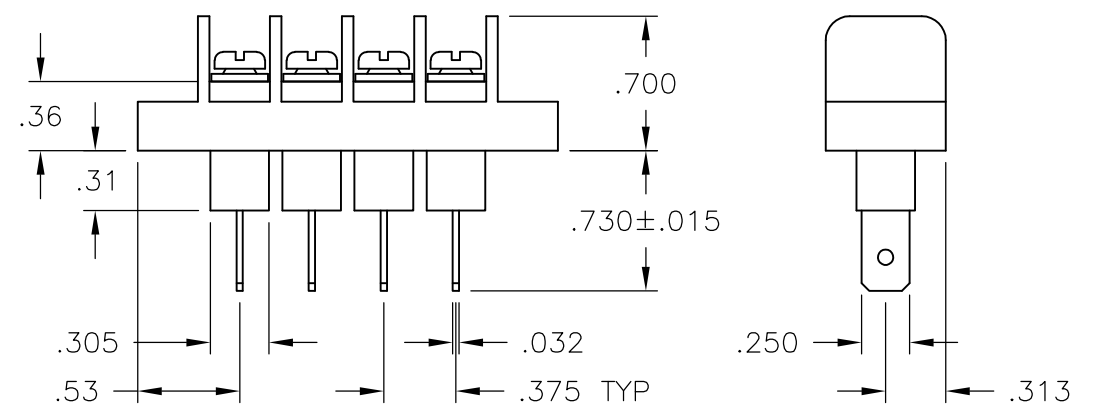
THIS DRAWING IS UNPUBLISHED. RELEASED FOR PUBLICATION
 © COPYRIGHT - By - ALL RIGHTS RESERVED.

LOC	DIST	REVISIONS					
FT	0	P	LTR	DESCRIPTION	DATE	DWN	APVD
			B6	REVISED PER ECO-11-004820	11MAR11	RK	HMR



PHYSICAL PROPERTIES:
 HOUSING: THERMOPLASTIC, UL94V-0, BLACK.
 TERMINALS: MATERIAL: COPPER ALLOY, PLATING SEE TABLE.
 SCREWS: #6-32 STEEL, ZINC PLATING W/ CLEAR CHROMATE.
 PITCH (TERMINAL SPACING): .375"
 OPERATING TEMP: 105° C MAX




ELECTRICAL PROPERTIES:
 RATED CURRENT: 20A
 OPERATING VOLTAGE: 300V
 WIRE RANGE: 12-22 AWG


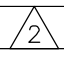
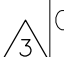



THIS DRAWING IS A CONTROLLED DOCUMENT.		DWN	S SCHLEGEL	5/27/03	STE TE Connectivity		
DIMENSIONS: INCHES		CHK	S YODER	5/27/03			
TOLERANCES UNLESS OTHERWISE SPECIFIED:		APVD	S YODER	5/27/03	JC6-Q308-XX ASSEMBLY		
0 PLC ± -		PRODUCT SPEC		SIZE			
1 PLC ± -		APPLICATION SPEC		CAGE CODE		DRAWING NO	
2 PLC ± .02		-		A3 00779		G-6-1437665-2	
3 PLC ± .010		-		CUSTOMER DRAWING		RESTRICTED TO	
4 PLC ± -		-		SCALE		SHEET	
ANGLES ± -		-		NTS		1 OF 2	
FINISH		-		REV		B6	
MATERIAL		-					

THIS DRAWING IS UNPUBLISHED. RELEASED FOR PUBLICATION
 © COPYRIGHT - By - ALL RIGHTS RESERVED.

LOC	DIST	REVISIONS					
FT	0	P	LTR	DESCRIPTION	DATE	DWN	APVD
			-	SEE SHEET 1	-	-	-

-  PRELIMINARY
-  MATTE TIN PLATE .0002 - .0006 MIN OVER .00005 MIN NICKEL.
-  OBSOLETE PARTS: OBSOLETE CIS STREAMLINING PER D.RENAUD/D.SINISI

PLATING	DIM. B	DIM. A	NO. OF POS.	CATALOG NUMBER	PART NO.		
BRIGHT TIN PL	9.000	9.314	23	JC6-Q308-23	2-1546700-2		
BRIGHT TIN PL	8.625	8.939	22	JC6-Q308-22	2-1546700-1		
BRIGHT TIN PL	8.250	8.564	21	JC6-Q308-21	2-1546700-0		
BRIGHT TIN PL	7.875	8.189	20	JC6-Q308-20	1-1546700-9		
BRIGHT TIN PL	7.500	7.814	19	JC6-Q308-19	1-1546700-8		
BRIGHT TIN PL	7.125	7.439	18	JC6-Q308-18	1-1546700-7		
BRIGHT TIN PL	6.750	7.064	17	JC6-Q308-17	1-1546700-6		
BRIGHT TIN PL	6.375	6.689	16	JC6-Q308-16	1-1546700-5		
BRIGHT TIN PL	6.000	6.314	15	JC6-Q308-15	1-1546700-4		
BRIGHT TIN PL	5.625	5.939	14	JC6-Q308-14	1-1546700-3		
BRIGHT TIN PL	5.250	5.564	13	JC6-Q308-13	1-1546700-2		
BRIGHT TIN PL	4.875	5.189	12	JC6-Q308-12	796985-9		
BRIGHT TIN PL	4.500	4.814	11	JC6-Q308-11	1-1546700-1		
BRIGHT TIN PL	4.125	4.439	10	JC6-Q308-10	796985-6		
BRIGHT TIN PL	3.750	4.064	9	JC6-Q308-09	1-1546700-0		
BRIGHT TIN PL	3.375	3.689	8	JC6-Q308-08	6-1437665-9		
BRIGHT TIN PL	3.000	3.314	7	JC6-Q308-07	6-1437665-8		
BRIGHT TIN PL	2.625	2.939	6	JC6-Q308-06	6-1437665-7		
 OBSOLETE SEE FIGURE (PAGE 1)	BRIGHT TIN PL	2.250	2.564	5	JC6-Q308-05-175	2-796985-4	
		1.875	2.189	4	JC6-Q308-04	6-1546700-5	
	BRIGHT TIN PL	1.875	2.189	4	JC6-Q308-04	6-1437665-5	
SEE FIGURE (PAGE 1)	 OBSOLETE	BRIGHT TIN PL	1.500	1.814	3	JC6-Q308-03-174	2-796985-3
SEE FIGURE (PAGE 1)		BRIGHT TIN PL	1.500	1.814	3	JC6-Q308-03-173	2-796985-2
		BRIGHT TIN PL	1.500	1.814	3	JC6-Q308-03	6-1437665-4
		BRIGHT TIN PL	1.125	1.439	2	JC6-Q308-02	6-1437665-2

THIS DRAWING IS A CONTROLLED DOCUMENT.		DWN S SCHLEGEL 5/27/03	 TE Connectivity			
DIMENSIONS: INCHES		CHK S YODER 5/27/03				
TOLERANCES UNLESS OTHERWISE SPECIFIED:		APVD S YODER 5/27/03	NAME			
0 PLC ± -		PRODUCT SPEC	JC6-Q308-XX ASSEMBLY			
1 PLC ± -		APPLICATION SPEC	SIZE	CAGE CODE	DRAWING NO	RESTRICTED TO
2 PLC ± .02			A3	00779	C-6-1437665-2	-
3 PLC ± .010			CUSTOMER DRAWING			
4 PLC ± -			SCALE	SHEET	REV	
ANGLES ± -			NTS	2 OF 2	B6	
MATERIAL	FINISH	WEIGHT				
-	-	-				